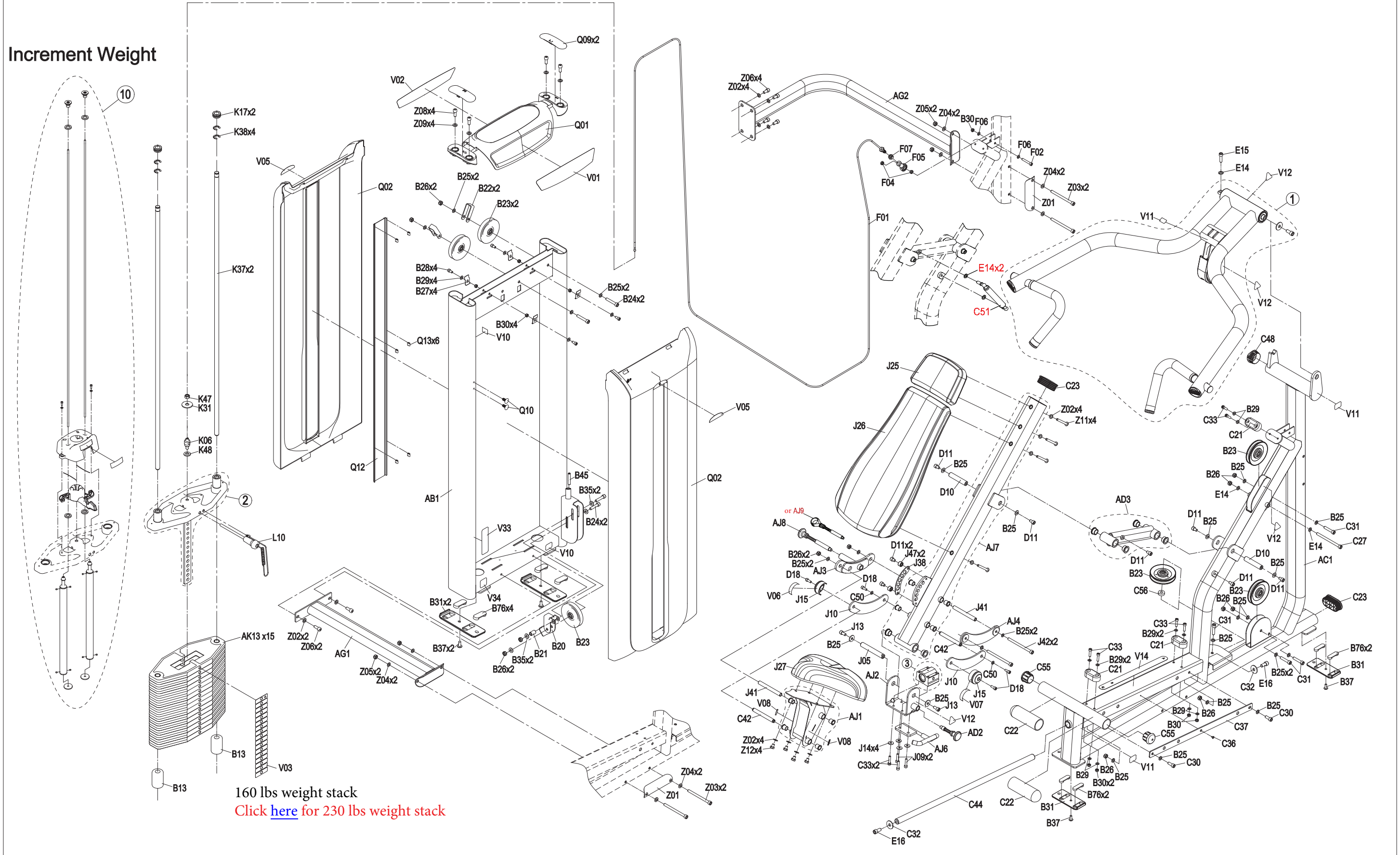


DRAWING NO	PGM100-KM		
PART NAME	Explosive Diagram		
PART NO	MGM0585-00	REV	A
APPROVE	SuYehua	DATE	2023.06.06

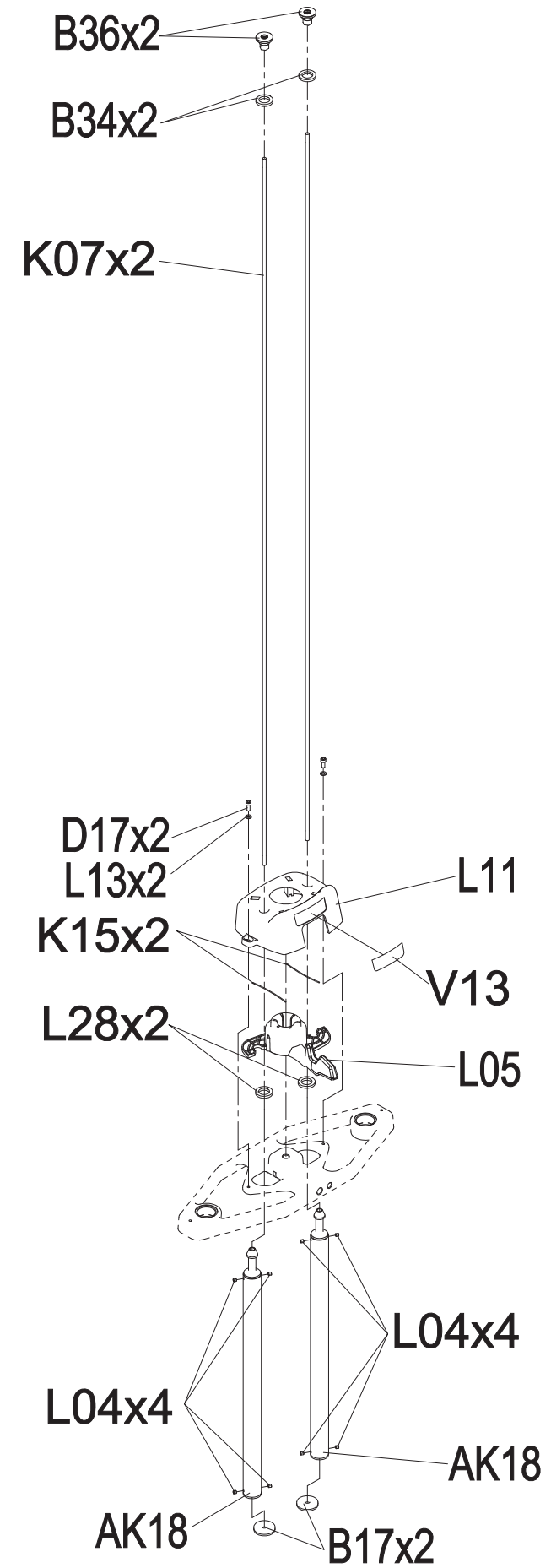
Click on a kit description for Premium Kit parts:

- Shield Set
- Rep Counter Set

### Increment Weight

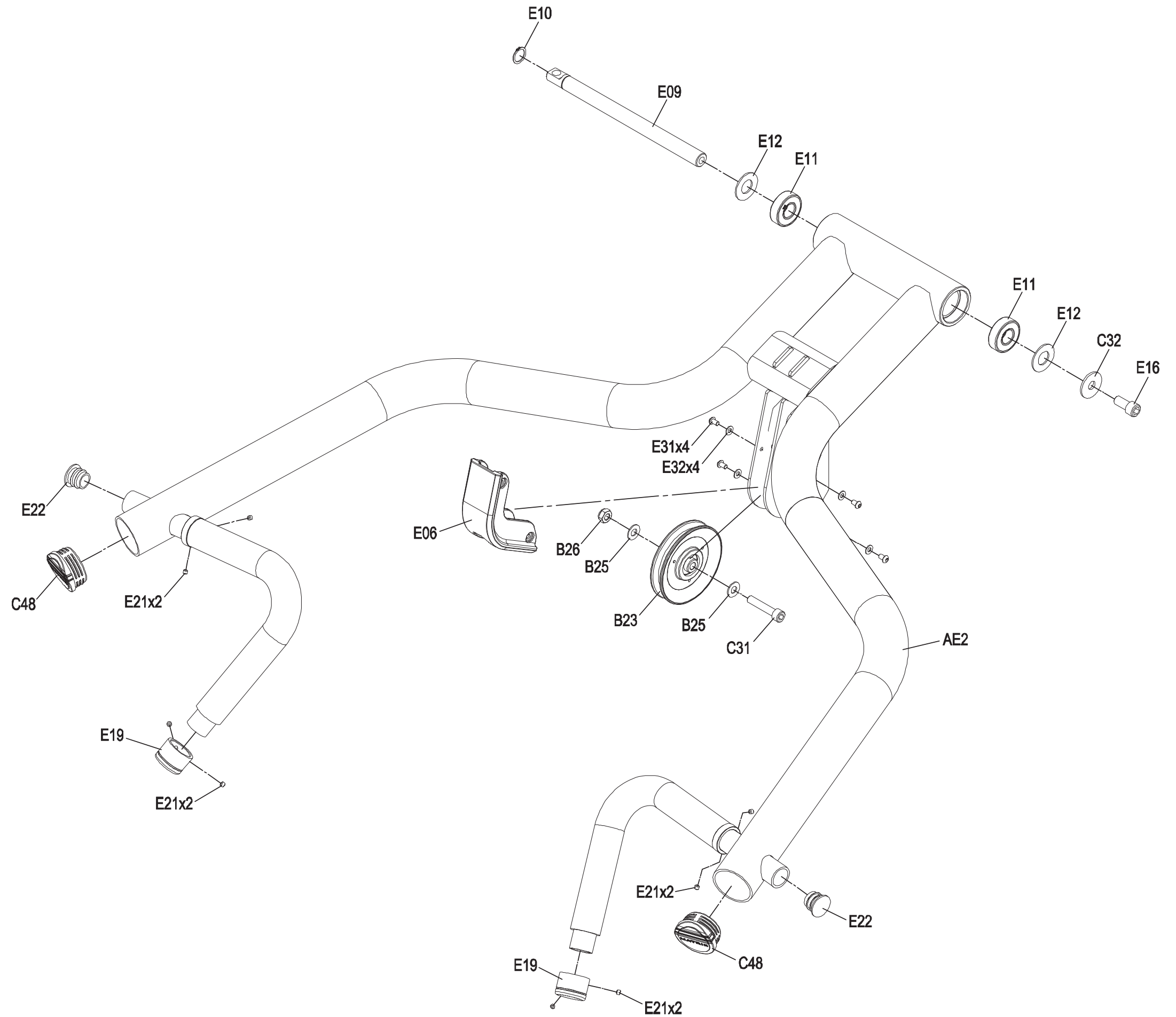


DRAWING NO	GM59-SF05		
PART NAME	Part Explosive Diagram		
PART NO	1000113110	REV	A
APPROVE	SuYehua	DATE	2023.06.06

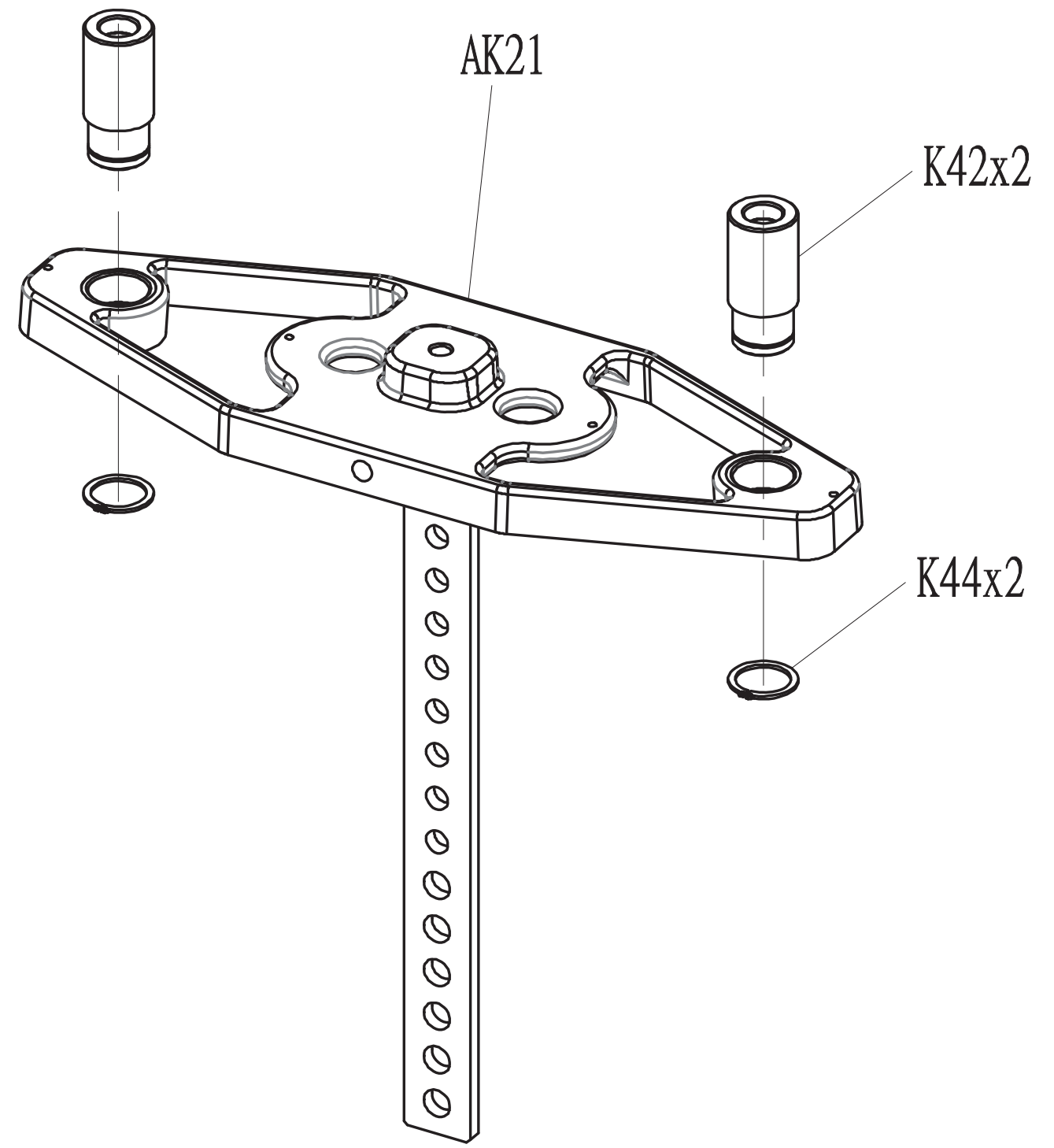


DRAWING NO	GM100-SF01		
PART NAME	Grip Set : Assembling		
PART NO	See Chart	REV	A
APPROVE	Zero	DATE	02.22.2021

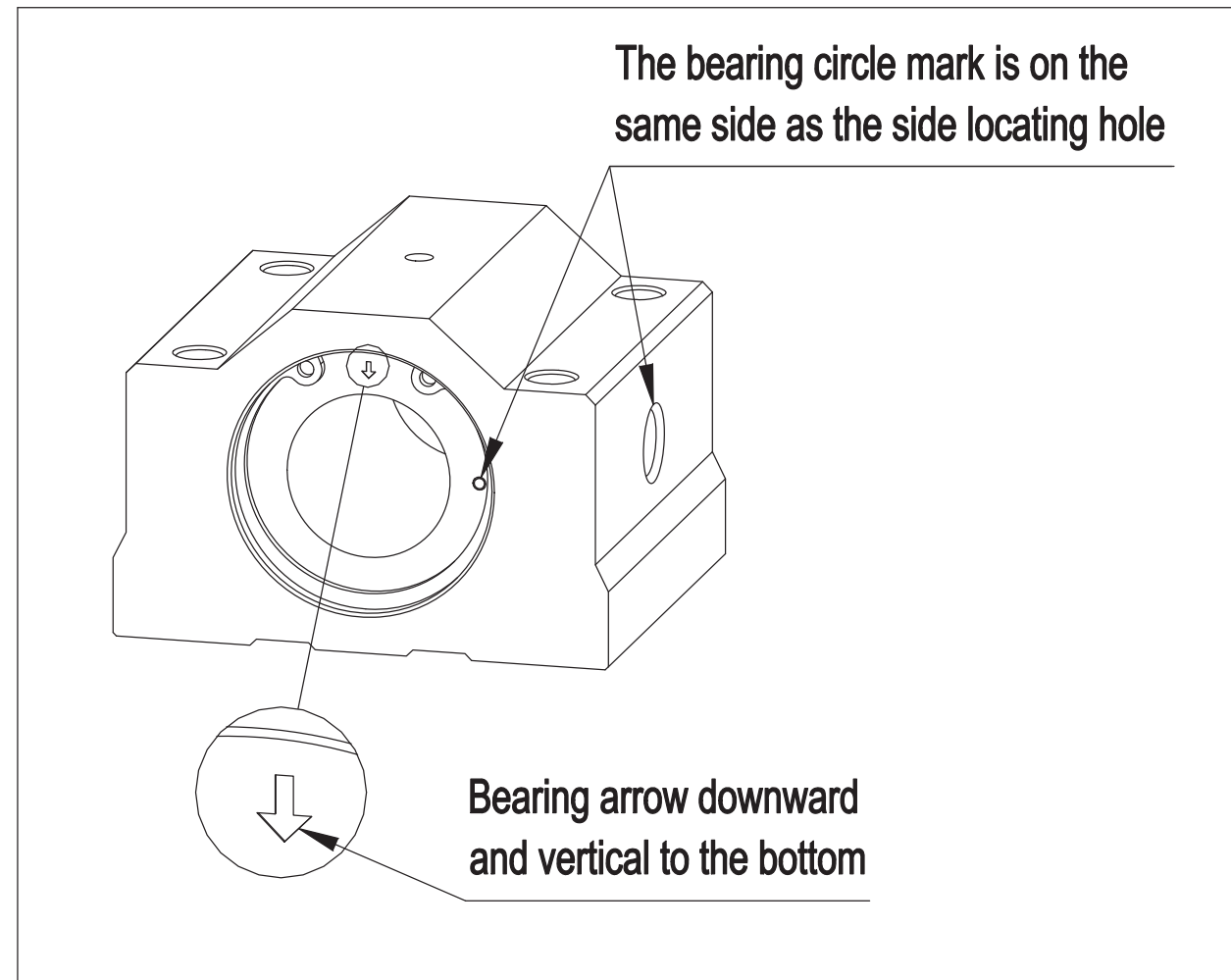
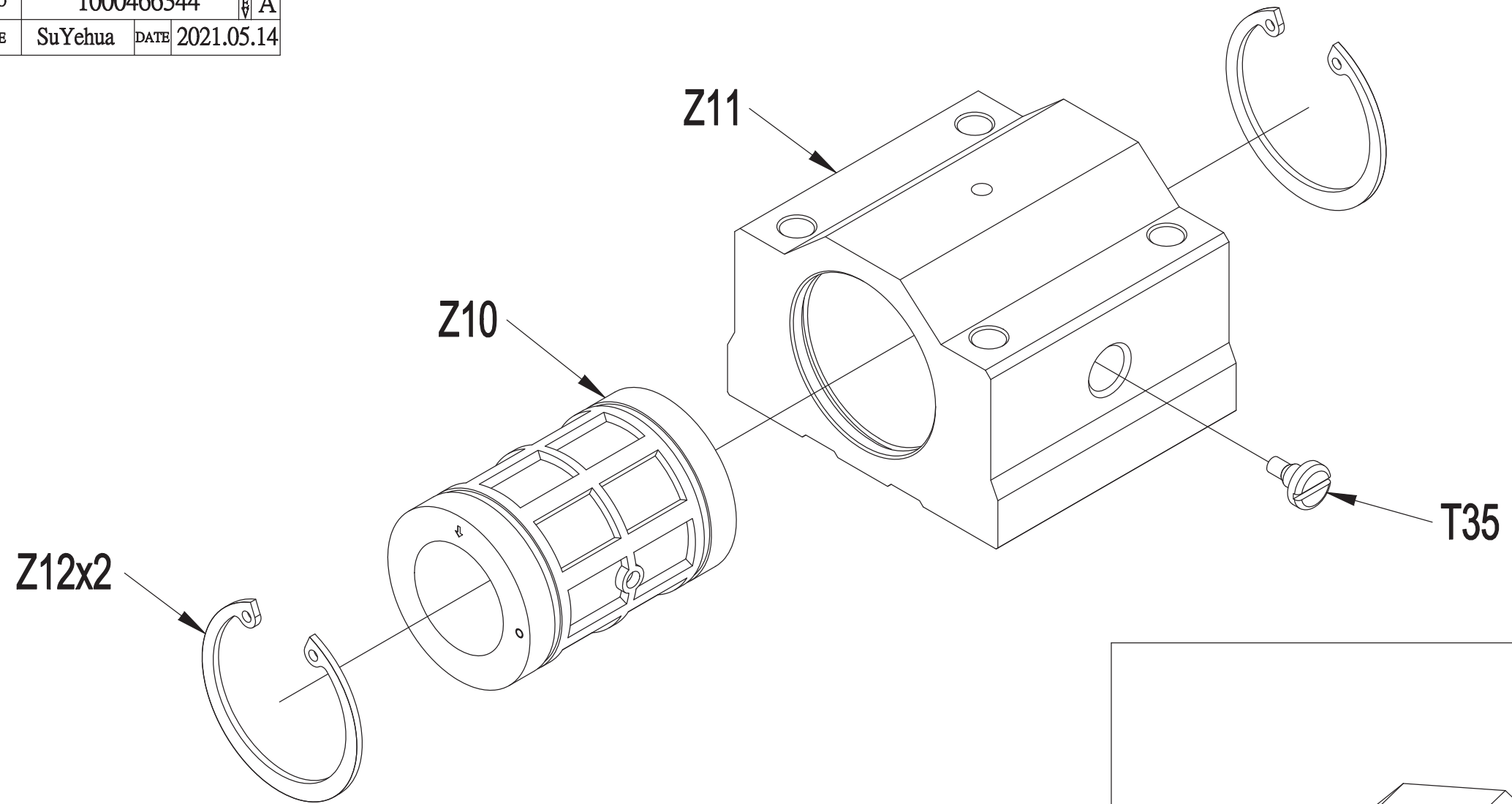
Part NO.	Color
1000399308	Iced Sliver
1000399310	Mat Black
1000399317	Platinum
1000399320	Polarized Titanium
1000399322	Lace White
1000399324	BlackGlossy
1000399326	Pearl White



DRAWING NO	GM59-AK23		
PART NAME	Select the group		
PART NO	1000448863	REV	A
APPROVE	WangTao	DATE	2020.01.03

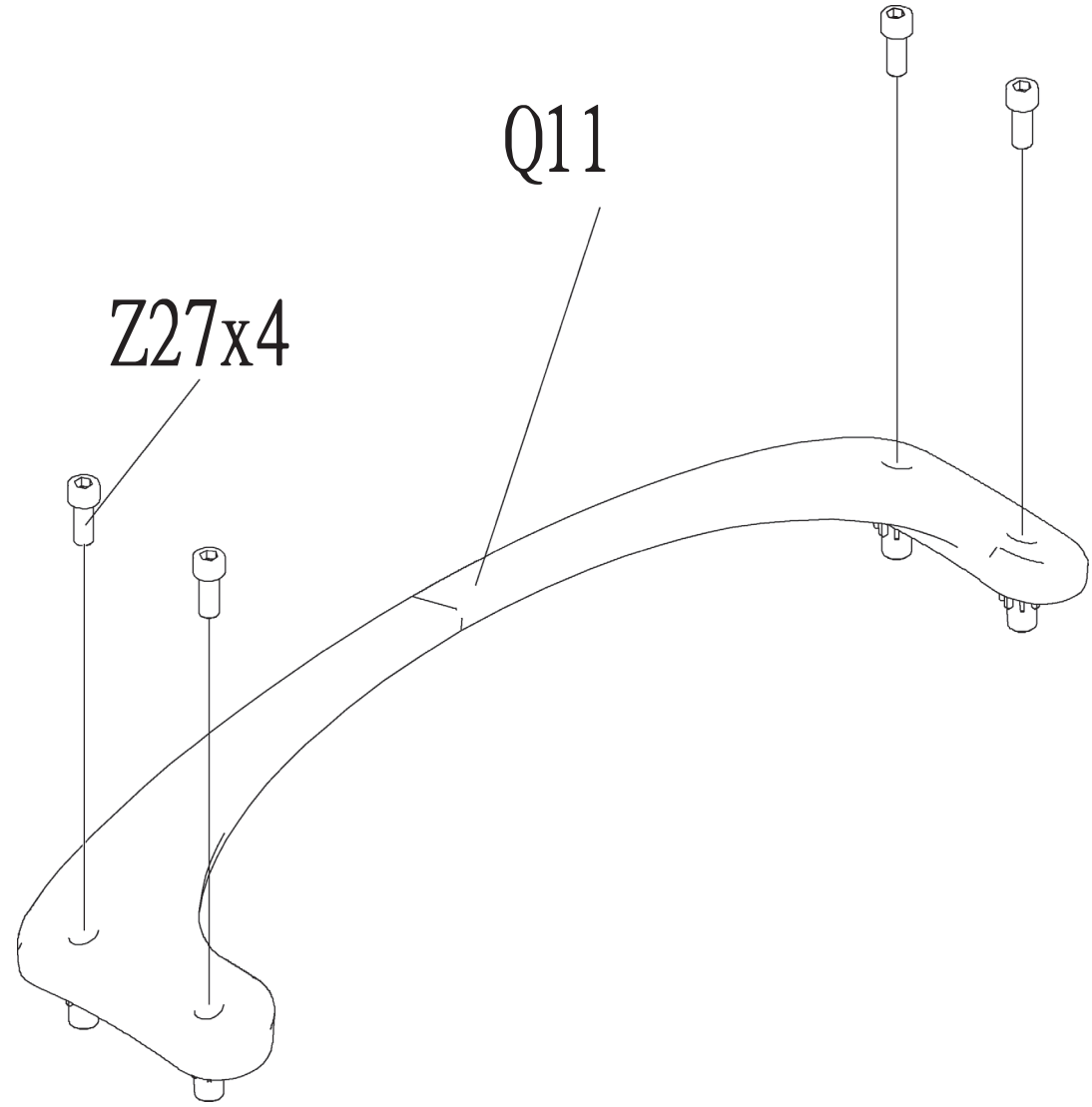


DRAWING NO	GM100-SF02		
PART NAME	Guide base set		
PART NO	1000466344	REV	A
APPROVE	SuYehua	DATE	2021.05.14



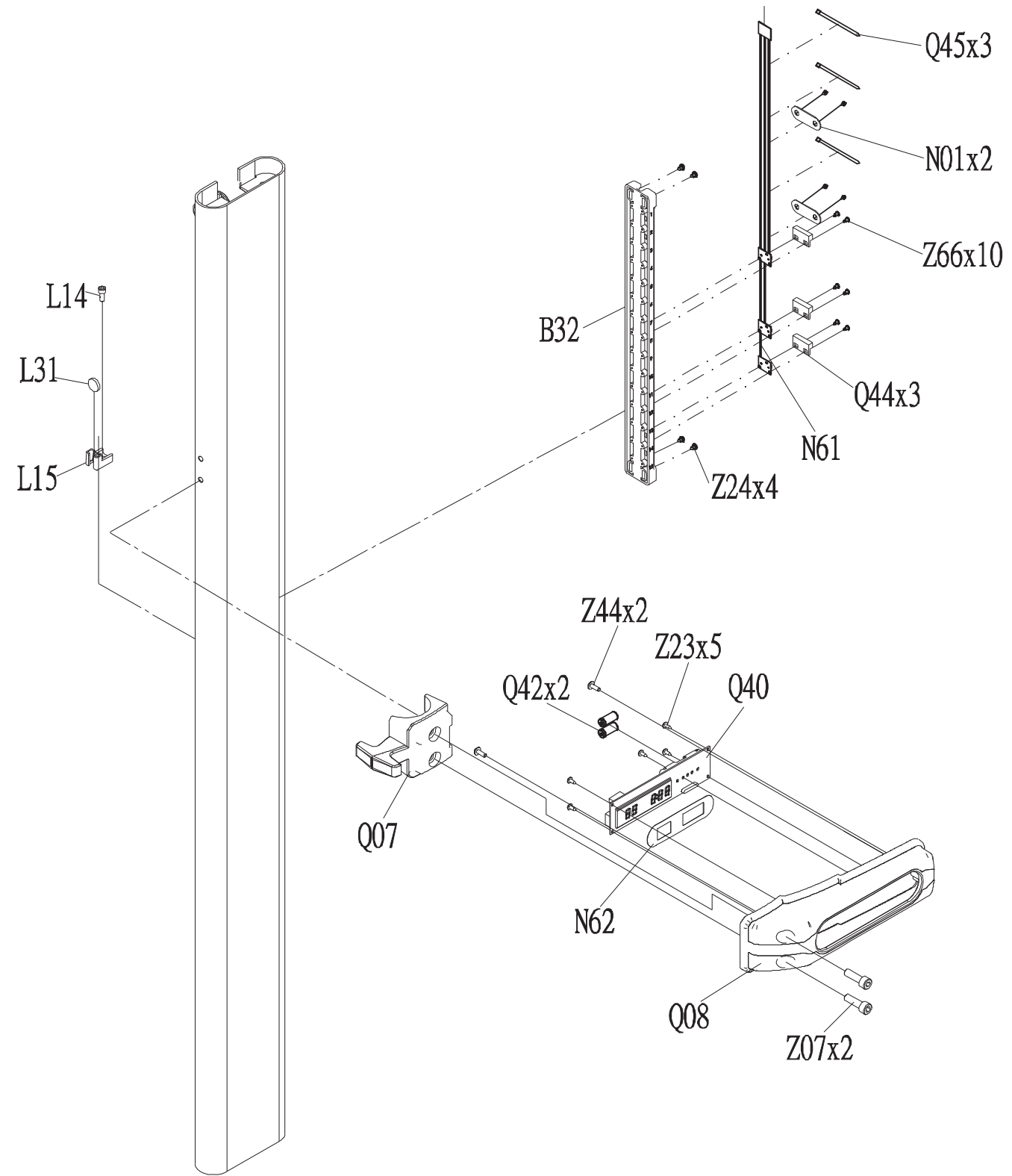
DRAWING NO	
PART NAME	SHIELD SET;U
PART NO	1000220477
APPROVE	JOHN DATE 20120711

Note: Part of Premium Kit Only

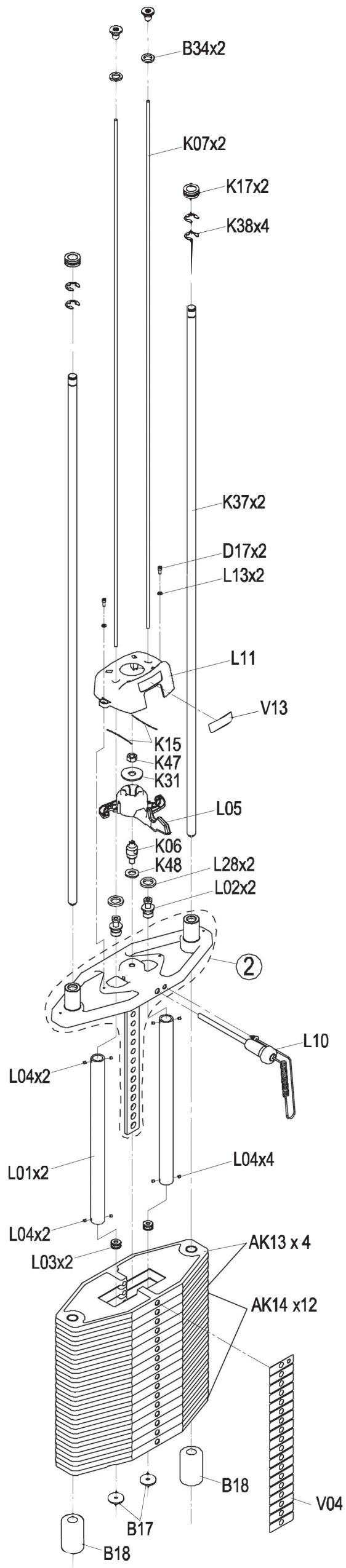


DRAWING NO			
PART NAME	SENSE ORGAN SET		
PART NO	1000200250	REV	A
APPROVE	JOHN	DATE	20120711

Note: Part of Premium Kit Only



230 Lbs weight stack





Bubble#	OEM Number	Description	Notes
1	1000399308	Handle Set Assembly iced sliver GM100	
10	1000113110	Assistant Weight Plate Set GM59-KM	Incremental Weight Plate Set
2	1000207217	Wps Superstratum GM59	
AD2	1000372285	Pull Pin Set GM100	
AD3	1000399292	Bushing Fabricate Drawing Iced Sliver	
AG2	1000399484	Disassembly ConnectingTube Set U Iced	
			This part is Iced Silver Dark Gray is discontinued.
AJ1	1000466205	Seat Adjustable Set Semi-Assy Iced Sliv	See service bulletin "Seat Adjustable Set Color
AJ6	1000381513	Adjustable Grip Set-Exreawork Dipping	
AJ8	1000305793	Pin set Semi-Assy FW212-KM	
		Adjustment Grip Set - APPLY RED LOCTITE TO PIN THREADS	
AJ9	096165	WHEN INSTALLING REPLACEMENT HANDLE	Premium Kit Pull Pin (handle only)
AJ9	1000217204	PIN SET R SA (PREMIUM) GM70-KM	Premium Kit Pull Pin
AK13	1000215667	Weight Plate axle sleeve - Extrawork,10LBS GM	
AK14	1000215776	WPS set axle sleeve - Extrawork,15LBS GM	
AK21	1000207218	Wps Set Superstratum Paint GM59	
B13	1000112985	Elastomer Weight Plate GM59	
B17	1000112984	Elastomer Assistant Weight Plate GM59	
B18	1000200252	RUBBER STOPPER - GM59	
B20	1000230611	SUPPORT PLATE WHEEL SPHC CHM GM59	
B21	1000393987	Sleeve CON Tube painting Iced Sliver G	
B22	1000204728	FIXING PLATE ROPE WHEEL SPHC GM59-KM	
B23	073573	Pulley 115mm	
B24	1000108796	Screw RND M10x1.5Px55L HS CHM BP G12.9	
B25	020465-AB	Washer Flat M10.2X25PX2.0T Chromed	
B26	004910-00	Nut NLK M10X1.5P CHM	
B27	1000393973	block Cover painting Iced Sliver GM59	
B28	004479-ABX	Screw Hex Socket Round M8x1.25Px15L Cr A	
B29	005145-AC	Washer Flat 8.2x19.0x2.0T Chromed	
B30	004929-00	Nut Nylon M8x1.25P Chromed	
B31	1000303546	Plastic Pad Foot Pad - PP BL427	
B32	1000096026	Fixing Base Sensor ABS GM40	Part of Premium Kit
B34	1000215843	PLASTIC PLATE FRAME CR -	

B35	005144-AC	Washer Flat 10.2X35.0X2.0T Chromed
B36	1000215844	Guide Rod fitting, Chromed
B37	004696-AB	Screw TH M8x1.25Px20L Hex Socket Chrom
B45	1000230891	SCREW SET M10X1.5PX65L FLATHEADED HS C
B76	1000233200	PLASTIC COVER NBR BL
C21	1000098704	Stopper Pad Black GM43
C22	086732	Foam For50.8 Foot Pad PL01
C23	1000463037	Tube Cap EPDM+PP BL/Black C 50.5x100
C27	084665	Screw SH M10X1.5PX140L HS CHM
C30	004780-00	Screw Hex Socket BH M10x1.5Px25L Adhere
C31	020112-A	Screw Hex Socket Round M10x1.5Px50L(Tooth15)
C32	050386-B	WASHER FLT Diam.12.5XDiam.38X3.0T CHM
C33	1000097206	Screw SH M8X1.25PX25L HS CHM BP
C36	020058-AB	Screw Phillip Sink M5x0.8Px5L Adhere
C37	1000372267	ADJ plate Guide Rail2 SPHC 4.0T CHM GM1
C39	1000102675	Stopper Block Pull Pin GM43
C40	1000358938	Spring Compression 1.2x12.9x65Lx12N 65
C42	1000113092	Axis Connect Pole 45# Chromeplate GM59
C48	1000348612	End Cap BL/Black C Diam.60 PL02B PP+T
C50	005129-AB	Washer Flat 8.0X23.0X2.5T Chromed
C55	1000379606	Cap ABS GM101-KM
D10	1000372282	Swivel Axle 45# Chrome GM100
D11	1000203852	Screw SH M10x15L - HS - CHM BP G8.8
D17	1000108801	Screw RND M5x0.8Px15L HS CHM BP G8.8
D18	1000108805	Screw RND M8x1.25Px20L HS CHM BP G12.9
E06	1000372296	Rubber Pad Protect PU BL/Black C GM100
E09	1000372284	Axle, Swivel 42CrMo Chrome GM100
E10	005365-00	C-Clip External S-20
E11	1000381558	Bearing Ball 6204ZZ Diam.20xDiam.47x14T
E12	1000207189	SHIM BEARING - SPHC - - Cr
E14	005062-00	Washer Flat 10.2x19x2.0T Chromed
E14	005062-00	Washer Flat 10.2x19x2.0T Chromed
E15	1000229173	Screw SH M10x x35L - HS - CHM - G12.9
E16	004556-AB	Screw Hex Socket Round M12x1.75Px25L Cr

Used with Premium Kit Air Shock

E19	009372-E	Cap Grip GM02
E20	009355-B	Stopper Mast Foam AL6061 GM02
E21	004853-AC	Set Screw M6X1.0PX5L Chrome
E22	029160-AA	End Cap Handlebar
E31	087955	Screw BH M6X1.0PX10L HS CHM BP
E32	1000104723	Washer FLT 6.2x13.0x1.0t CHM
F01	1000372328	Steel Rope Diam.6.4x5185L GM100
F02	004525-00	Screw Hex Socket Round M8x1.25Px50L
F04	1000113066	Space Mass Mast Bearing 20# Chromeplate
F05	1000113067	Mast Bearing LKAC_12_M GM59
F06	103406	Washer Flat 8.2x20.0x1.8t Cr Plat
F07	1000097111	Nut Steel Rope M12x1.75P Cr Plate
J05	1000477828	Swivel Axle Guide Rail 45# White Zinc F
J08	1000204315	SLIPPING SLEEVE SET SA - GM19KM-G3
J08	1000466344	Guide base set Semi-Assy GM100
J09	020092-00	SCREW SH M8X1.25PX35L HS CHM
J10	1000226804	SEAT SET SA D GM63 SERVE
J13	1000231572	SCREW SH M10X1.5PX20L HS BP CHM
J14	103406	Washer Flat 8.2x20.0x1.8t Cr Plat
J15	1000113095	Cover Seat Chair GM59
J23	1000217438	Handle Pull Pin TPP Black Orange GM59
J25	1000215767	PAD SET SA HEAD PAD GM59-KM BK
J26	1000215730	BACK PAD MIDDLE PU BLACK -
J27	096186	Seat Set BL Semi-Assy GM40-KM
J36	1000099593	Screw SH M10X1.5PX12L HS CHM BP
J38	1000113094	Adjust Plate Seat Chair Chromeplate SPHC
J41	1000227041	SLEEVE S45C WZN CONNECTING
J42	084666	Screw SH M10X1.5PX160L HS CHM
J44	005425-AB	SCREW SET M5X0.8PX8L ZN
K06	1000393190	Fixing Pin Rop 45# Chrome GM101-KM 27.
K07	1000113102	Guide Rod SUS304 Diam.6X1421.7 GM59
K15	1000204997	Steel Weight Plate Up 1080 Spring Steel

Original design

New design, see "Slipping Sleeve Set Design

Color changed from Dark Grey to Black Matte beginning in 2021. See service bulletin "Seat Adjustable Set Color Change".

K17	1000202352	Cushion Guide Rod	
K31	1000218377	WASHER FLT Diam.16.2XDiam.37.0X1.5T - BA	
K37	1000209625	GUIDE ROD 45 - WEGHT PLATE	
K38	1000102915	Circlip E Type E-15 Cr Plate	
K42	1000215659	BUSHING GUIDE ROD POM	
K44	1000102912	Circlip External C Type S-30 BED	
K47	004945-00	Nut Nylon M12x1.75P Chromed	
K48	020509-A	Washer Diam.12.5XDiam.25.0X1.0T Chrome	
Kit 1 Grips	1000372283	Foam Diam.30.4x5.0tx430L Grip GM100	
L01	1000396859	Increment Weight Plate Iced Sliver G	
L02	1000113107	Axis Sheath Leader GM59	
L03	1000211166	PLASTIC BASE ADD WEIGHT PLATE POM GM5	
L04	1000210485	SCREW SET M5X0.8PX6L FLAT POINT HS G8.8	
L05	1000200264	GRIP ABS+TPR GM59	
L10	1000201802	PULL PIN SET WPS GM62 -	
L11	1000207213	COVER INCREMENTAL WEIGHT ABS - - -	
L13	070571	Washer Flat 5.2X10.0X1.5T CHM	
L14	1000108803	Screw RND M5x0.8Px12L HS CHM BP G8.8	Part of Premium Kit
L15	1000209576	PLASTIC BASE MAGNET ABS FIXING	Part of Premium Kit
L28	1000224913	Cushion Aaw Nbr BI	
L31	1000232864	PERMANENT MAGNET - 1500## ##	Part of Premium Kit
N01	1000217603	STOPPER PIECE INDUCTOR - SPHC ZH GM40	Part of Premium Kit
N61	1000229510	WIRE DISPLAY BOARD -- OKI HARBOR 2.5-	Part of Premium Kit
N62	1000096575	Overlay Manipulate GM40	Part of Premium Kit
Not Shown	1000372330	hardware set GM100	
Not Shown	1000393356	Manual Fram Manual NA and Europe GM105	
Not Shown	ZMS4007175	Decal, QR, VS-S131 Multi-Press	
Not Shown	1000372256	Premium Level Semi-Assy GM100	Kit with all premium parts.
Q01	1000113113	Cover Up ABS GM59	
Q02	1000113114	Cover Front Clarity ABS GM59	
Q07	1000209577	PLASTIC BASE REP COUNTER - FIXING	Part of Premium Kit
Q08	1000200250	PREMIUM - REP COUNTER	Part of Premium Kit
Q09	1000209593	END CAP ACCENT	
Q10	1000224767	Plastic Cover - - PP - - - -	

Q12	1000209591	PLASTIC BAR - PVC - LABEL	
Q13	1000303486	Clamp Cover -	
Q40	1000096514	Control Board Matrix H102 S1.60 GM40	Part of Premium Kit
Q44	001679-00	Tie Strap Adhesive Nylon 66 HC-101 W	Part of Premium Kit
Q45	005811-00	Cable Tie Nylon Black 160L	Part of Premium Kit
p Counter 5	1000200250	PREMIUM - REP COUNTER	Premium Kit
Shield Set	1000220477	PREMIUM - SHIELD SET U GM59 -	Premium Kit
V01	1000384831	Instructional Labe PC Front GM100	
V02	1000384832	Instructional Labe PC Rear GM100	
V03	1000215718	SPEC LABEL 10 LB WEIGHT PLATE BLACK PC	160 Lbs weight stack stickers
V04	1000409123	Direction Label Weight Plate 230lbs/140k	230 Lbs weight stack stickers
V05	1000215704	MARKING GM59-KM	
V06	1000215723	DIRECTION LABEL SEAT ADJUSTABLE - PC LEF	
V07	1000215724	DIRECTION LABEL SEAT ADJUSTABLE - PC RIG	
V08	1000217282	DIRECTION LABEL SEAT ADJUSTABLE - PC -	
V09	1000215728	DIRECTION LABEL SEAT ADJUSTABLE PC	
V11	093501	Warning sticker small GM40-KM	
V12	1000109127	Decal Pinch Point MS21KM-G3	
V13	1000221799	DIRECTION LABEL AAW - PC -	
V14	1000381847	Direction Label Seat Adjustable PC G	
V33	1000363760	Warning Label Frame PC English GM40	
V34	1000381524	EN LABEL Address GM100 PC	
Z01	1000394128	Fixing Plate RD painting Iced Sliver G	
Z02	020465-AB	Washer Flat M10.2X25PX2.0T Chromed	
Z03	020117-AD	SCREW SH M10X1.5PX125L HS CHM	
Z04	020489-A	Washer Arc 10.2x20.0x1.5t Chromed	
Z05	004910-00	Nut NLK M10X1.5P CHM	
Z06	1000231572	SCREW SH M10X1.5PX20L HS BP CHM	
Z07	098577	SCREW HEX M8X1.25X35L	Part of Premium Kit
Z08	1000097206	Screw SH M8X1.25PX25L HS CHM BP	
Z09	103406	Washer Flat 8.2x20.0x1.8t Cr Plat	
Z11	004518-00	Screw SH M10X1.5PX75L HS CHM	
Z12	1000102584	Screw Hex M10x1.5Px20L Cr Plate G12.9	
Z23	020196-A	Screw Phillip BH Tapped 3x6L Zn-BL	Part of Premium Kit

Z24	1000090321	Screw BH 4X15L TC PH G8.8 BAN POT	Part of Premium Kit
Z27	020081-00	Screw SH M8X1.25PX60L HS G12.9	Part of Premium Kit
Z44	1000104672	Screw BH M5x0.8Px10L HS CST CST CST CHM	Part of Premium Kit
Z66	040816-A	Screw Phillip BH Tapped 3x8L	Part of Premium Kit
AB1	1000399273	Frame Set painting Iced Sliver GM100	
AC1	1000399283	base set painting Iced Sliver GM100 s	
AE1	1000399309	Handle set painting Iced Sliver GM100	
AG1	1000399520	Disassembly ConnectingTube Set D painti	
AG2	1000399484	Disassembly ConnectingTube Set U painti	
AJ2	1000399328	Seat Silde Set painting Iced Sliver G	
AJ3	1000372313	Seat Adjustable Set LU painting Deep G	
AJ4	1000212325	Seat Connect Pole L/U PAINTING Dark gray	
AJ7	1000399458	Bushing Fabricate Drawing Semi-Assy Ice	
C38	1000209624	Axle Pull pin 45# GM59-KM	
C44	1000372245	Guide Rod Guide Rail Hard Cr GM100	
C51	1000384830	Air Stick Hydraulic 150N L=295.0 S=100.0	Premium Kit Air Shock
Not Shown	1000393403	Manual Assembly America/Europe GM100	
Not Shown	1000381548	Label set Semi-Assy GM100	
Q11	Order Premium Kit	Shield	Not available separately order full Shield Set kit.
V10	1000381527	Bar Code Label GM100	
AJ1	1000113079	Seat Chair Adjust Set GM59-KM	Discontinued - Dark Gray - Used before VSGM100E2105G028. See service bulletin "Seat Adjustable Set Color Change".
AJ8	1000209623	PIN SET SA ADJUSTABLE#VALUE LINE# GM59 -	Discontinued
AJ9	1000209569	PREMIUM - PIN SET SA ADJUSTABLE# GM59	Discontinued - Premium Kit Pull Pin
B28	004479-AB	Screw SH M8X1.25PX15L HS CHM BP	Discontinued
B29	005040-AB	Washer Flat 8.4X15.5X1.6T	Discontinued
C23	1000371560	Cap Elliptical TPU Diam.50.0xDiam.100.	Discontinued
C40	005486-E	Spring SWP GM09	Discontinued
J05	1000371804	Swivel Axle Guide Rail 20CrMo White Zin	Discontinued
J09	020092-00	SCREW SH M8X1.25PX35L HS CHM	Discontinued
J09	020092-AB	Screw Hex Socket Round M8x1.25Px35L Adhe	Discontinued

J10	1000200194	CONNECT POLE - D SPHC PAINTING(DG 446C)
Q08	1000215769	Plastic Cover - - TPR - - - -
Q42	1000096574	Lithium and Iron Disulfide Battery

Discontinued - Color changed from Dark Grey to Black Matte beginning in 2021. See service bulletin "Seat Adjustable Set Color Change".  
Discontinued - Part of Premium Kit  
Discontinued - Part of Premium Kit